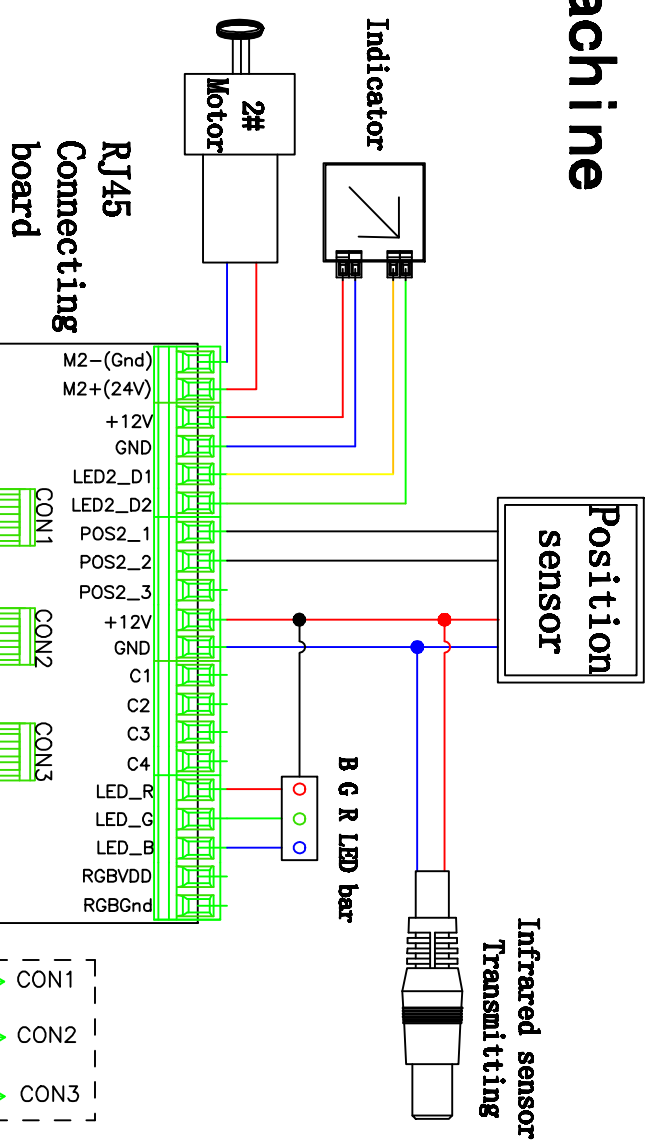
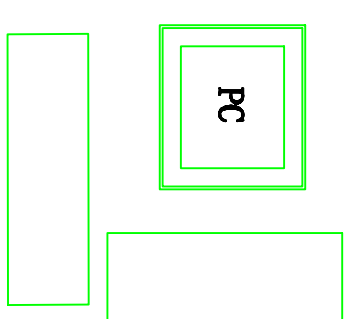


Sub machine



PC



Main machine

RJ45 Connecting board

