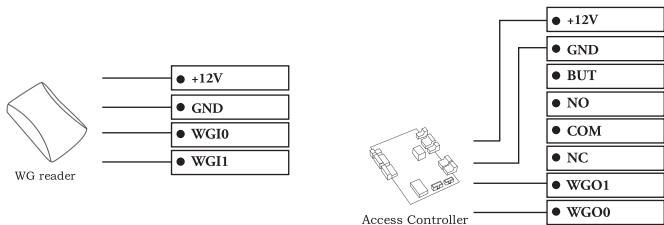
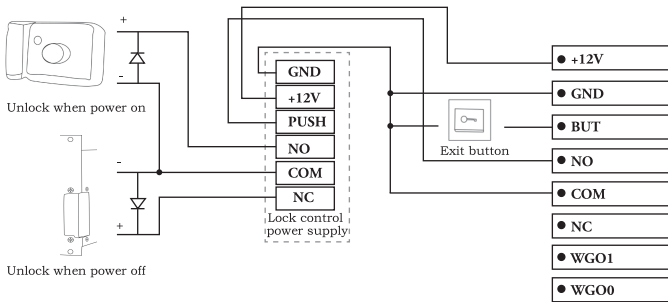




TimeWatch VF01 & 02 Connection Diagram

2) Device connection diagram



Remark: When the power supply of the access controller is insufficient (The facial device may shut down automatically after face recognition) In this case, please wiring as below diagram:

